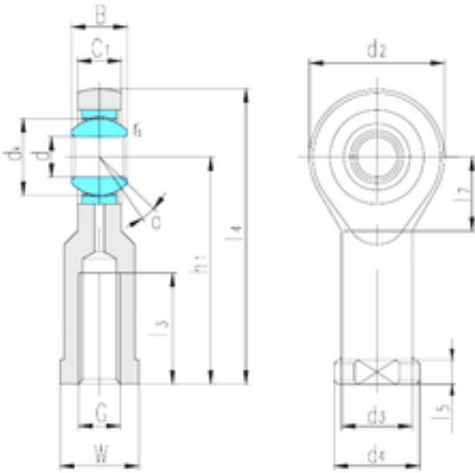




KFY MANUFACTURING MEXICO LIMITED

LS SI60ET-2RS plain bearings

Bearing No. SI60ET-2RS



SI60ET-2RS Bearing 2D drawings and 3D CAD models

Bore Diameter	60 mm
d	60 mm
B	44 mm
d2	135 mm
d3	70 mm
d4	88 mm
dk	80 mm
h1	175 mm
l3 min.	70 mm
l4 max.	242,5 mm
l5	20 mm
l7 min.	68,5 mm
r min.	1 mm
C1 max	39 mm
G	M52 × 3 mm
W	80 mm
Angle	6 °
Weight	5,6 Kg
Basic dynamic load rating (C)	430 kN