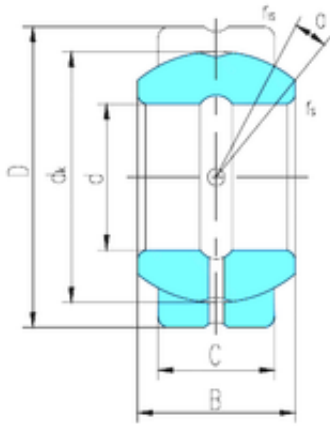




KFY MANUFACTURING MEXICO LIMITED

38,1 mm x 71,438 mm x 40,132 mm LS
GEGZ38ES plain bearings



GEGZ38ES Bearing 2D drawings and 3D CAD models

Bearing No. GEGZ38ES

Size	38.1x71.438x40.132 mm
Bore Diameter	38,1 mm
Outer Diameter	71,438 mm
Width	40,132 mm
d	38,1 mm
D	71,438 mm
B	40,132 mm
C	33,325 mm
dk	63,9 mm
r min.	0,6 mm
r1 min.	1 mm
Angle	14 °
Weight	0,726 Kg
Basic dynamic load rating (C)	170 kN