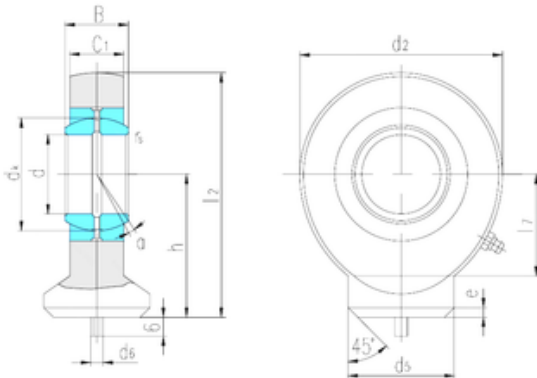




KFY MANUFACTURING MEXICO LIMITED



LS SK45ES plain bearings

Bearing No. SK45ES

Bore Diameter	45 mm
d	45 mm
B	32 mm
d2	102 mm
d6	5 mm
dk	60 mm
h	77 mm
l1 min.	128 mm
l2 max.	52 mm
l7 min.	58 mm
r min.	0,6 mm
C1	27 mm
Angle	7 °
d5	6 r/min
Weight	1,93 Kg
Basic dynamic load rating (C)	127 kN

SK45ES Bearing 2D drawings and 3D CAD models