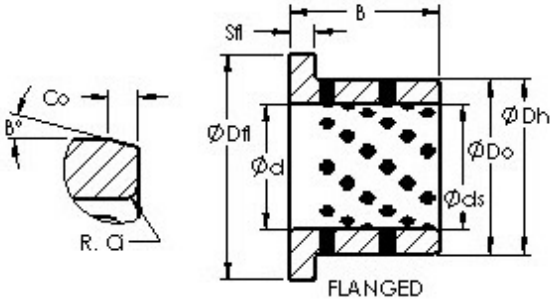




KFY MANUFACTURING MEXICO LIMITED

AST AST650 F10012080 plain bearings

Bearing No. AST650 F10012080



AST650 F10012080 Bearing 2D drawings and 3D CAD models

Bore Diameter	100 mm
Outer Diameter	120 mm
Bearing Type	flanged
Shaft Dia., Nominal (d)	100.0000
Housing Bore Dia. (Dh) - 120 +0.040 / -0	120 +0.040 / 0
Bearing Outside Diameter, Nominal(Do)	120.000
Bearing Outside Diameter Tolerance (Do tol.)	120 +0.035 / +0.013
Bearing Bore after Mounting (di)	100 +0.071 / +0.036
Bearing Length, Nominal (B)	80.000
Bearing Length Tolerance (B tol.) - -0.10 / -0.30	0.10 / 0.30
OD Chamfer Length (Co)	3.000
ID Chamfer Angle (B deg.)	15
ID Chamfer Length (Ci)	1.200
Flange Dia. (Dfl pm 0.5)	150.000
Material	Cast bronze with solid lubricant inserts.