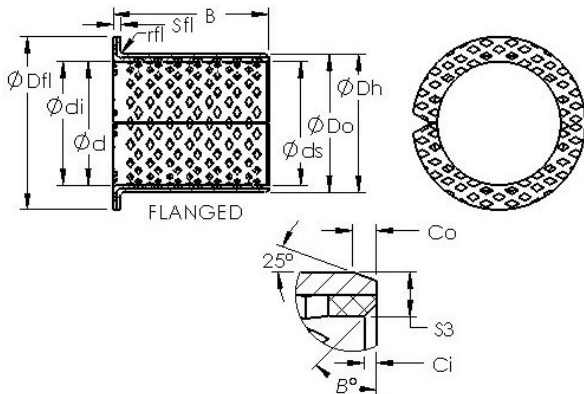




# KFY MANUFACTURING MEXICO LIMITED



## AST ASTB90 F11070 plain bearings

Bearing No. ASTB90 F11070

|  |   |
|--|---|
| Bore Diameter                                      | 110 mm  |
| Outer Diameter                                     | 115 mm  |
| Bearing Type                                       | flanged   |
| Shaft Dia., Nominal (d)                            | 110.0000  |
| Shaft Size (ds) - 110 -0.120 / -0.155              | 110 0.120 / 0.155                               |
| Housing Bore Dia. (Dh) - 115 +0.035 / -0           | 115 +0.035 / 0                                  |
| Bearing Outside Diameter, Nominal(Do)              | 115.000   |
| Bearing Bore after Mounting (di) - 110 +0.087 / -0 | 110 +0.087 / 0                                  |
| Wall Thickness (S3)                                | 2.500   |
| Bearing Length, Nominal (B)                        | 70.000  |
| Bearing Length Tolerance (B tol.) - +0 / -0.40     | +0 / 0.40                                       |
| OD Chamfer Length (Co)                             | 1.800   |
| ID Chamfer Angle (B deg.)                          | 45  |
| ID Chamfer Length (Ci)                             | 0.600   |
| Flange Dia. (Dfl pm 0.5)                           | 130.000   |
| Flange Thickness (Sfl)                             | 2.500   |
| Flange Radius (rfl)                                | 2.000   |
| Material   | Wrapped bronze with formed lubrication indents. |

ASTB90 F11070 Bearing 2D drawings and 3D CAD models