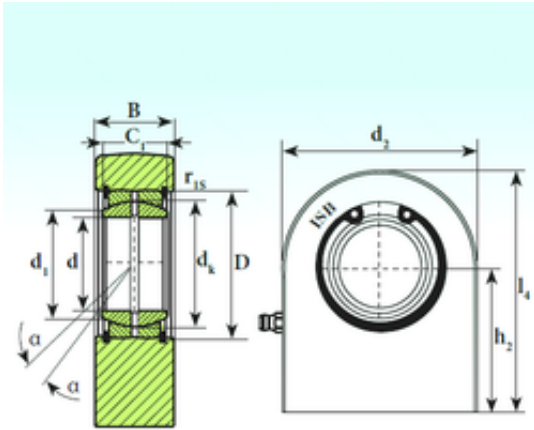




# KFY MANUFACTURING MEXICO LIMITED



T.P.N. 350 Bearing 2D drawings and 3D CAD models

50 mm x 75 mm x 40 mm ISB T.P.N. 350 plain bearings

Bearing No. T.P.N. 350

Bore Diameter	50 mm
Outer Diameter	75 mm
d	50 mm
D	75 mm
d1	56 mm
d2	123 mm
dk	66 mm
h2	88 mm
l4 max.	149,5 mm
r min.	0,6 mm
B	40 mm
C1	35 mm
Angle	6 °
Weight	4,24 Kg
Basic dynamic load rating (C)	156 kN