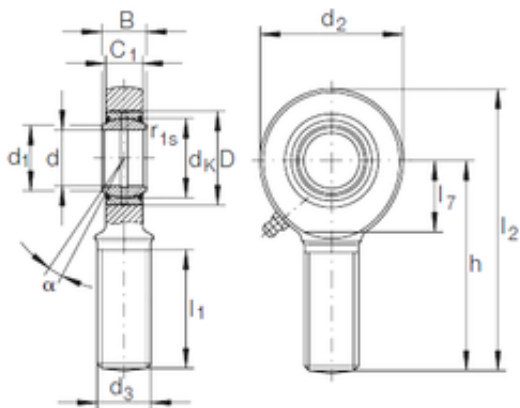




KFY MANUFACTURING MEXICO LIMITED

35 mm x 55 mm x 25 mm INA GAR 35 DO-2RS plain bearings



Bearing No. GAR 35 DO-2RS

GAR 35 DO-2RS Bearing 2D drawings and 3D CAD models

Size	35x55x25 mm
Bore Diameter	35 mm
Outer Diameter	55 mm
Width	25 mm
d	35 mm
D	55 mm
B	25 mm
d1	39,7 mm
d2	82 mm
dk	47 mm
h	140 mm
l1 min.	82 mm
l2 max.	181 mm
l7 min.	42 mm
r1 min.	0,6 mm
C1	21 mm
Thread (G)	M36X3
Angle	6 °
Weight	1,4 Kg
Basic dynamic load rating (C)	80 kN