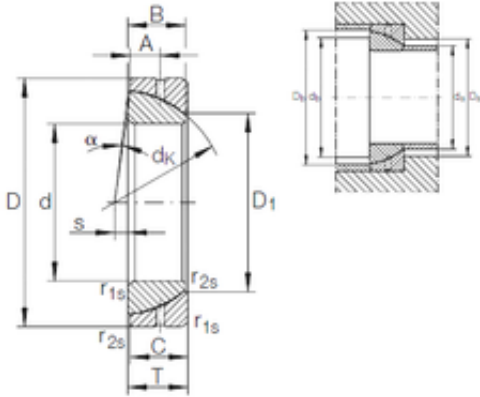




KFY MANUFACTURING MEXICO LIMITED

80 mm x 125 mm x 27 mm INA GE 80 SX plain bearings



GE 80 SX Bearing 2D drawings and 3D CAD models

Bearing No. GE 80 SX

Size	80x125x29 mm
Bore Diameter	80 mm
Outer Diameter	125 mm
Width	29 mm
d	80 mm
D	125 mm
T	29 mm
B	27 mm
C	27 mm
dk	115 mm
r1 min.	1,5 mm
r2 min.	0,6 mm
A	14,5 mm
D1	90,5 mm
S	10 mm
da max	88 mm
Da min	99 mm
db min	104 mm
Db min.	117 mm
Angle	2 °
Weight	1,5 Kg
Basic dynamic load rating (C)	244 kN