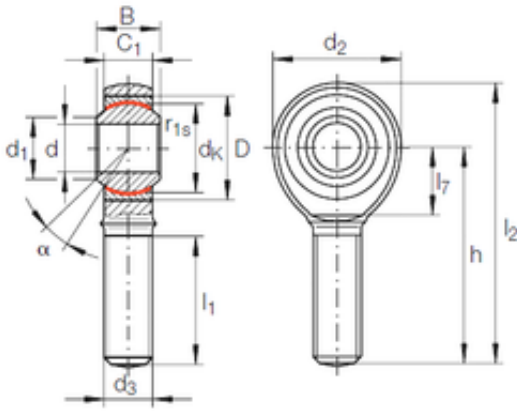




KFY MANUFACTURING MEXICO LIMITED

12 mm x 26 mm x 16 mm INA GAKFL 12 PW plain bearings



GAKFL 12 PW Bearing 2D drawings and 3D CAD models

Bearing No. GAKFL 12 PW

Size	12x26x16 mm
Bore Diameter	12 mm
Outer Diameter	26 mm
Width	16 mm
d	12 mm
D	26 mm
B	16 mm
d1	15,4 mm
d2	32 mm
dk	22,225 mm
h	54 mm
l1 min.	32 mm
l2 max.	70 mm
r1 min.	0,3 mm
C1	12 mm
Thread (G)	M12
Angle	13 °
Weight	0,085 Kg
Basic dynamic load rating (C)	24 kN