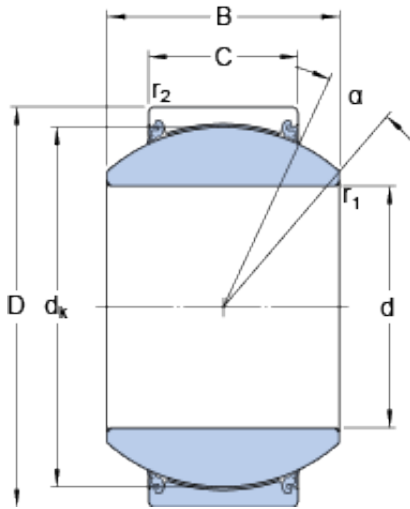




KFY MANUFACTURING MEXICO LIMITED



40 mm x 68 mm x 40 mm SKF GEH 40 TXE-2LS plain bearings

Bearing No. GEH 40 TXE-2LS

GEH 40 TXE-2LS Bearing 2D drawings and 3D CAD models

Size	68x40x40 mm
Bore Diameter	68 mm
Outer Diameter	40 mm
Width	40 mm
d	40 mm
D	68 mm
B	40 mm
C	25 mm
	17 °
d _k	60 mm
r ₁ - min.	0.6 mm
r ₂ - min.	1 mm
d _a - min.	44.2 mm
d _a - max.	44.7 mm
D _a - min.	61 mm
D _a - max.	63.5 mm
r _a - max.	0.6 mm
r _b - max.	1 mm
Basic dynamic load rating - C	360 kN
Basic static load rating - C ₀	600 kN
Specific factor dynamic load - K	300 N/mm ²
Specific factor static load - K ₀	500 N/mm ²
Category	Spherical Plain Bearings -



KFY MANUFACTURING MEXICO LIMITED

	Radial
Inventory	0.0
Manufacturer Name	SKF
Minimum Buy Quantity	N/A
Weight / Kilogram	0.52
Product Group	B04264
Self Aligning	Yes
Rolling Element	Spherical Plain
Material - Outer Member	Steel
Material - Ball	Steel
Material - Liner	Teflon
Relubricatable	No
Enclosure	2 Seals
Other Features	2 Piece Wide Inner Ring Chrome Plated Ball Self Lubricating Triple Lip Heavy Duty Seals
Long Description	40MM Bore; 25MM Housing Width; 68MM Outside Diameter; Spherical Plain; Steel Outer Member; Steel Ball; Teflon Liner; 40MM Overall Width; Not Relubricatable
Inch - Metric	Metric
Category	Plain Bearings Spherical Radial
UNSPSC	31171515
Harmonized Tariff Code	8483.30.80.70
Noun	Bearing
Keyword 3	Spherical
Keyword String	Plain Spherical Radial
Manufacturer URL	http://www.skf.com
Manufacturer Item Number	GEH 40 TXE-2LS
Weight / LBS	1.146



KFY MANUFACTURING MEXICO LIMITED

Bore	1.575 Inch 40 Millimeter
Outside Diameter	2.677 Inch 68 Millimeter
Overall Width	1.575 Inch 40 Millimeter
Housing Width	0.984 Inch 25 Millimeter
bore diameter:	40 mm
inner ring material:	Steel
outside diameter:	68 mm
outer ring width:	25 mm
misalignment angle:	17 °
race material:	PTFE Composite
inner ring width:	40 mm
overall width:	40 mm
bearing type:	Radial
radial static load capacity:	600 kN
lubrication type:	Maintenance Free/Self-Lubricating
radial dynamic load capacity:	360 kN
closure type:	Triple Lip Seals
operating temperature range:	-50 to +150 ° C ° F
outer ring material:	Chrome Steel
manufacturer upc number:	7316571899886
Lubricant	Maintenance free – dry lubrication
Design (sliding contact surface combination)	Steel/PTFE fabric
Sealing solution	Triple-lip seals
	17 °
d_k	60 mm
r_1 min.	0.6 mm
r_2 min.	1 mm
d_a min.	44.2 mm
d_a max.	44.7 mm



KFY MANUFACTURING MEXICO LIMITED

D_a min.	61 mm
D_a max.	63.5 mm
r_a max.	0.6 mm
r_b max.	1 mm
Basic dynamic load rating C	360 kN
Basic static load rating C_0	600 kN
Specific dynamic load factor K	300 N/mm ²
Specific static load factor K_0	500 N/mm ²
Mass plain bearing	0.52 kg