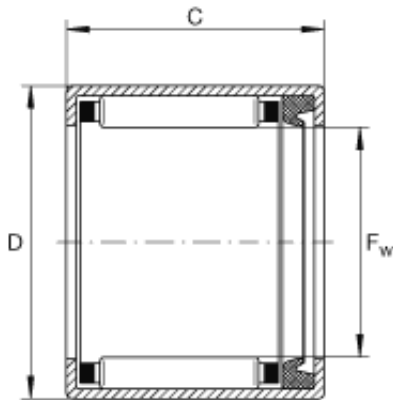




KFY MANUFACTURING MEXICO LIMITED



INA SCE2012-P needle roller bearings

Bearing No. SCE2012-P

SCE2012-P Bearing 2D drawings and 3D CAD models

Size	31.75x38.1x19.05 mm
Bore Diameter	31,75 mm
Outer Diameter	38,1 mm
Width	19,05 mm
F _w	1 1/4 inch
F _w	31,75 mm
D	1,5 inch
D	38,1 mm
C	0,75 inch
C	19,05 mm
m	0,079 lbs / Weight
m	36 g / Weight
C _r	3930 lbf / Dynamic load rating (radial)
C _r	17500 N / Dynamic load rating (radial)
C _{0r}	6970 lbf / Static load rating (radial)
C _{0r}	31000 N / Static load rating (radial)
n _G	8200 1/min / Limiting speed
n _B	6000 1/min / Reference speed
Category	Bearings
Inventory	0.0
Manufacturer Name	SCHAEFFLER GROUP
Minimum Buy Quantity	N/A



KFY MANUFACTURING MEXICO LIMITED

Weight / Kilogram	0.043
Product Group	B04144