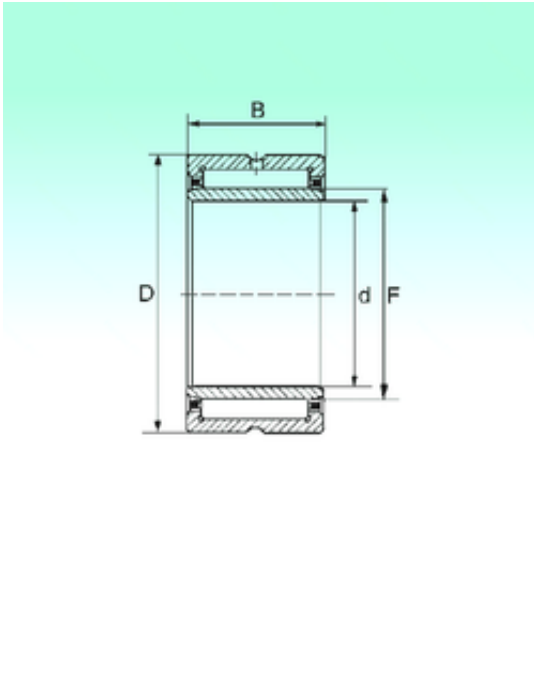




KFY MANUFACTURING MEXICO LIMITED



NKI 65/35 Bearing 2D drawings and 3D CAD models

NBS NKI 65/35 needle roller bearings

Bearing No. NKI 65/35

Size	65x90x35 mm
Bore Diameter	65 mm
Outer Diameter	90 mm
Width	35 mm
d	65 mm
Fw	73 mm
D	90 mm
C	35 mm
Weight	0,659 Kg
Basic dynamic load rating (C)	73 kN
Basic static load rating (C0)	154 kN