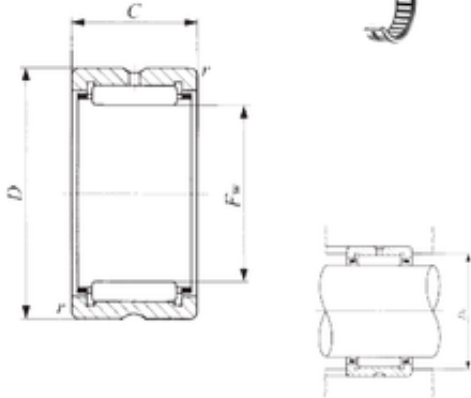




KFY MANUFACTURING MEXICO LIMITED

IKO RNA 6903 needle roller bearings



Bearing No. RNA 6903

Size	22x30x23 mm
Bore Diameter	22 mm
Outer Diameter	30 mm
Width	23 mm
Fw	22 mm
D	30 mm
C	23 mm
r min.	0,3 mm
Da max.	28 mm
Weight	0,0405 Kg
Basic dynamic load rating (C)	20,8 kN
Basic static load rating (C0)	32,5 kN

RNA 6903 Bearing 2D drawings and 3D CAD models