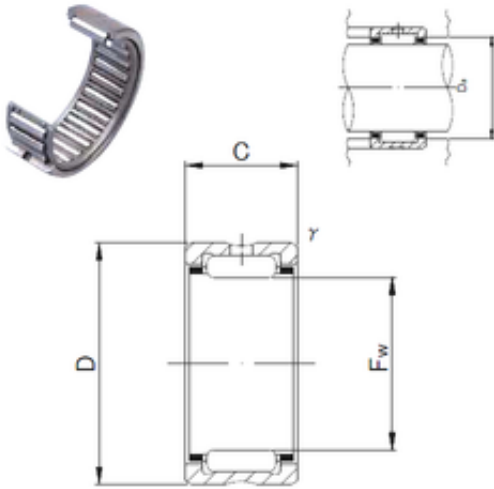




KFY MANUFACTURING MEXICO LIMITED



JNS RNA4900M needle roller bearings

Bearing No. RNA4900M

Size	14x22x13 mm
Bore Diameter	14 mm
Outer Diameter	22 mm
Width	13 mm
Fw	14 mm
D	22 mm
C	13 mm
r min.	0,3 mm
Da max.	20 mm
Weight	0,0165 Kg
Basic dynamic load rating (C)	8,4 kN
Basic static load rating (C0)	9,2 kN
Limiting speed	24 000 r/min

RNA4900M Bearing 2D drawings and 3D CAD models