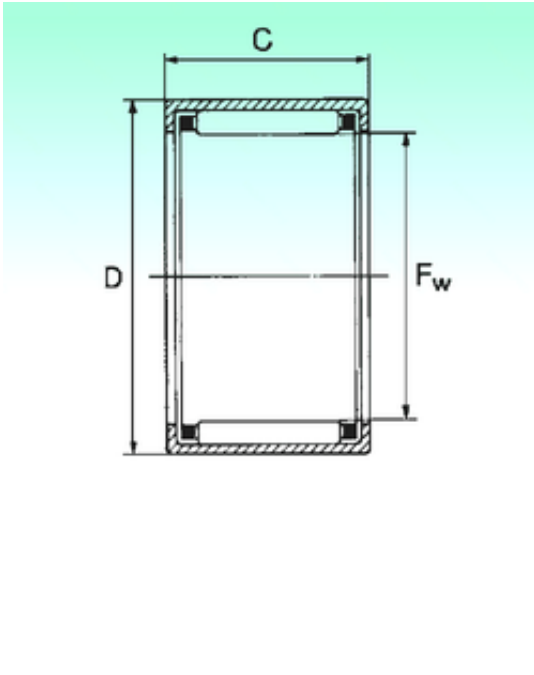




KFY MANUFACTURING MEXICO LIMITED



HK 2216 Bearing 2D drawings and 3D CAD models

NBS HK 2216 needle roller bearings

Bearing No. HK 2216

Size	22x28x16 mm
Bore Diameter	22 mm
Outer Diameter	28 mm
Width	16 mm
Fw	22 mm
D	28 mm
C	16 mm
Weight	0,0209 Kg
Basic dynamic load rating (C)	12,7 kN
Basic static load rating (C0)	21 kN