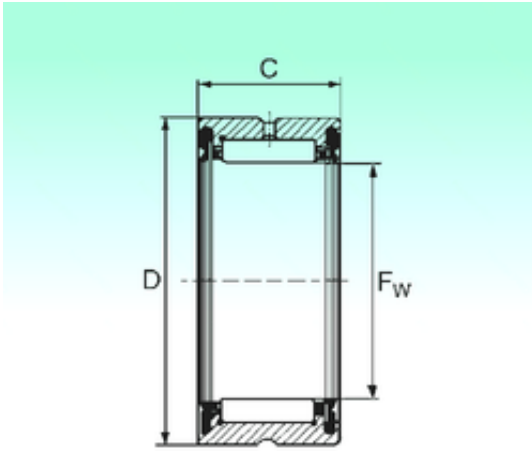




KFY MANUFACTURING MEXICO LIMITED



NBS RNA 4902 2RS needle roller bearings

Bearing No. RNA 4902 2RS

Size	20x28x13 mm
Bore Diameter	20 mm
Outer Diameter	28 mm
Width	13 mm
Fw	20 mm
D	28 mm
C	13 mm
Weight	0,0215 Kg
Basic dynamic load rating (C)	8,17 kN
Basic static load rating (C0)	9,78 kN

RNA 4902 2RS Bearing 2D drawings and 3D CAD models