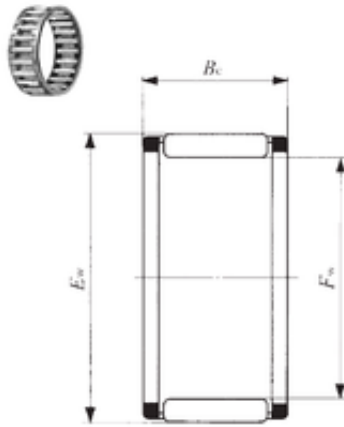




# KFY MANUFACTURING MEXICO LIMITED

## IKO KT 859330 needle roller bearings



Bearing No. KT 859330

Marchio	IKO
Diametro del foro	85 mm
Diametro esterno	93 mm
Fw	85 mm
Ew	93 mm
Bc	30 mm
Peso	0,157 Kg
Carico dinamico di base (C)	66,6 kN
Carico statico di base (C0)	161 kN

KT 859330 Bearing 2D drawings and 3D CAD models