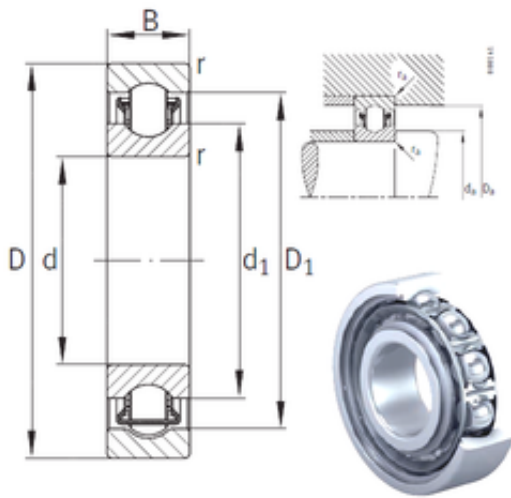




KFY MANUFACTURING MEXICO LIMITED



BXRE000 Bearing 2D drawings and 3D CAD models

10 mm x 26 mm x 8 mm INA BXRE000 needle roller bearings

Bearing No. BXRE000

Size	10x26x8 mm
Bore Diameter	10 mm
Outer Diameter	26 mm
Width	8 mm
d	10 mm
D	26 mm
B	8 mm
C	8 mm
d1	15,6 mm
r min.	0,3 mm
D1	21,1 mm
da min.	12 mm
Da max.	24 mm
ra max.	0,3 mm
Weight	0,02 Kg
Basic dynamic load rating (C)	7,1 kN
Basic static load rating (C0)	3,7 kN
Fatigue load limit (Pu)	187
Reference speed	19 900 r/min