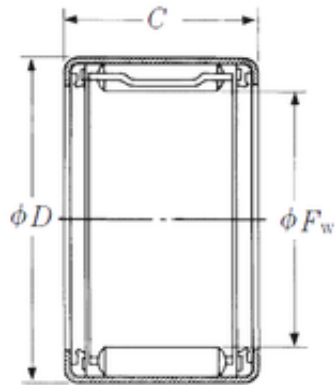




KFY MANUFACTURING MEXICO LIMITED

NSK FJLTT-1821 needle roller bearings



Bearing No. FJLTT-1821

Size	18x25x21 mm
Bore Diameter	18 mm
Outer Diameter	25 mm
Width	21 mm
Fw	18 mm
D	25 mm
C	21 mm
Weight	0,019 Kg
Basic dynamic load rating (C)	11,4 kN

FJLTT-1821 Bearing 2D drawings and 3D CAD models