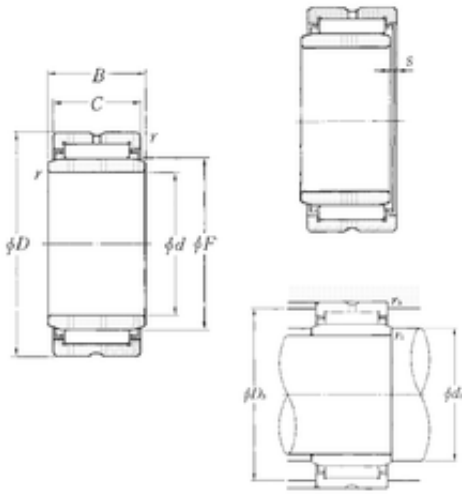




KFY MANUFACTURING MEXICO LIMITED

17,462 mm x 34,925 mm x 19,3 mm NTN
MR142212+MI-111412 needle roller bearings

Bearing No. MR142212+MI-111412



MR142212+MI-111412 Bearing 2D drawings and 3D CAD models

Size	17.462x34.925x19.3 mm
Bore Diameter	17,462 mm
Outer Diameter	34,925 mm
Width	19,3 mm
d	17,462 mm
F	22,225 mm
D	34,925 mm
B	19,3 mm
C	19,05 mm
r min.	1 mm
s	1,5 mm
da min.	21 mm
Da max.	30 mm
ra max.	1 mm
Weight	0,079 Kg
Basic dynamic load rating (C)	21,9 kN
Basic static load rating (C0)	25,6 kN
(Grease) Lubrication Speed	12 000 r/min