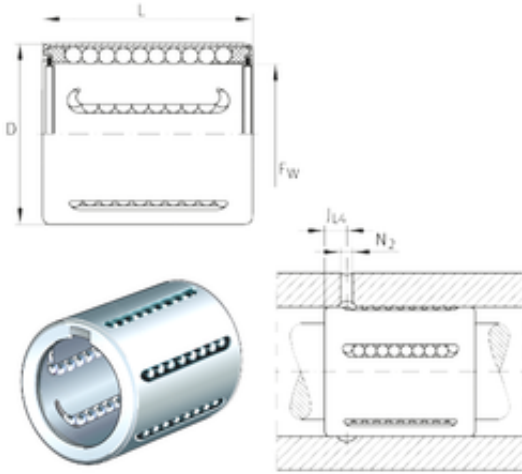




KFY MANUFACTURING MEXICO LIMITED

INA KH40-PP linear bearings

Bearing No. KH40-PP



Bore Diameter	40 mm
Outer Diameter	52 mm
Fw	40 mm
D	52 mm
N2	2,5 mm
L	60 mm
JL4	9 mm
Weight	0,182 Kg
Basic dynamic load rating (C)	5,3 kN

KH40-PP Bearing 2D drawings and 3D CAD models