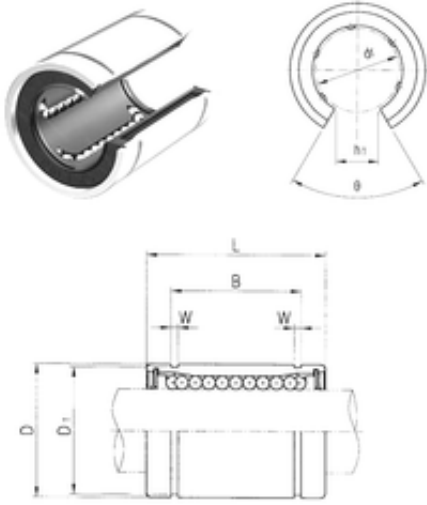




KFY MANUFACTURING MEXICO LIMITED



30 mm x 47 mm x 52,1 mm Samick
LME30UUOP linear bearings

Bearing No. LME30UUOP

Size	30x47x52.1 mm
Bore Diameter	30 mm
Outer Diameter	47 mm
Width	52,1 mm
d	30 mm
D	47 mm
h1	12,5 mm
B	52,1 mm
D1	44,5 mm
L	68 mm
W	1,85 mm
	50 mm
Weight	0,325 Kg
Basic dynamic load rating (C)	1,56 kN

LME30UUOP Bearing 2D drawings and 3D CAD models