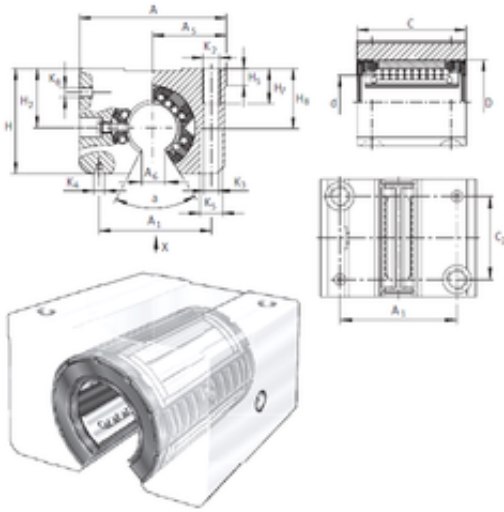




# KFY MANUFACTURING MEXICO LIMITED



KGSNO25-PP-AS Bearing 2D drawings and 3D CAD models

## INA KGSNO25-PP-AS linear bearings

Bearing No. KGSNO25-PP-AS

Bore Diameter	25 mm
Outer Diameter	40 mm
d	25 mm
D	40 mm
A6	11,9 mm
H5	8,8 mm
H7	22 mm
H8	29 mm
K2	8,4 mm
K3	2,5 mm
K4	X5,3
K5	15 mm
Thread (K2)	M10
Thread (K8)	NIP 5 MZ
A5	39 mm
Angle (?)	57 °
A	78 mm
A1	60 mm
C	58 mm
H	51 mm
H2	30 mm
C2	40 mm
Weight	0,52 Kg
Basic dynamic load rating (C)	3,95 kN