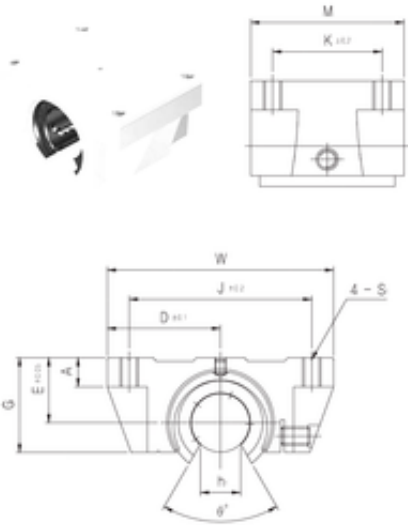




KFY MANUFACTURING MEXICO LIMITED



TBR30UU Bearing 2D drawings and 3D CAD models

Samick TBR30UU linear bearings

Bearing No. TBR30UU

Bore Diameter	30 mm
Outer Diameter	45,5 mm
d	30 mm
D	45,5 mm
h1	15 mm
A	12 mm
E	34 mm
G	48 mm
J	75 mm
K	60 mm
M	75 mm
S1x	M8
W	91 mm
	50 mm
Weight	0,9 Kg
Basic dynamic load rating (C)	1,764 kN