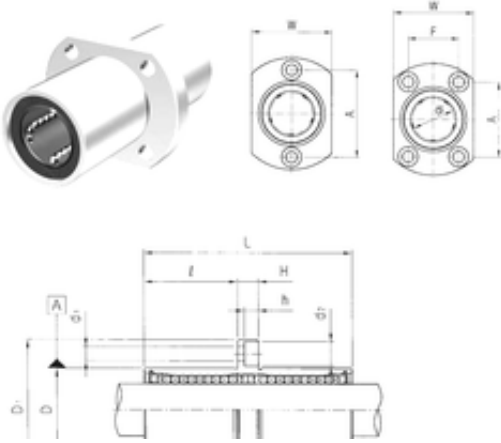




KFY MANUFACTURING MEXICO LIMITED

Samick LMHM6 linear bearings



LMHM6 Bearing 2D drawings and 3D CAD models

Bearing No. LMHM6

Bore Diameter	6 mm
Outer Diameter	12 mm
d	6 mm
D	12 mm
d1	3,4 mm
d2	6,5 mm
h	3,3 mm
A	20 mm
D1	28 mm
H	5 mm
L	35 mm
W	18 mm
	15 Tolerance h14
Tolerance perpendicularity (C)	15
Weight	0,031 Kg
Basic dynamic load rating (C)	0,32 kN