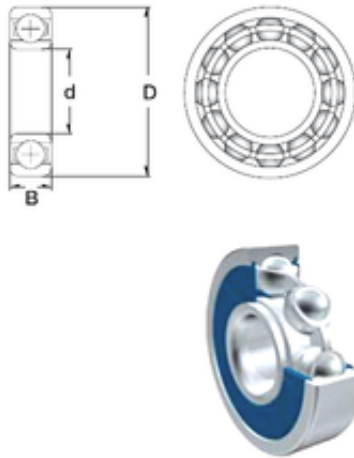




KFY MANUFACTURING MEXICO LIMITED



50 mm x 110 mm x 27 mm ZEN 6310-2RS deep groove ball bearings

Bearing No. 6310-2RS

Size	50x110x27 mm
Bore Diameter	50 mm
Outer Diameter	110 mm
Width	27 mm
d	50 mm
D	110 mm
B	27 mm
C	27 mm
Weight	1,06 Kg
Basic dynamic load rating (C)	62 kN
Basic static load rating (C0)	38,5 kN

6310-2RS Bearing 2D drawings and 3D CAD models