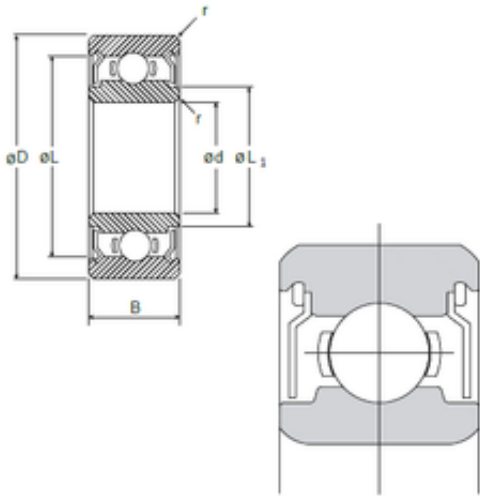




# KFY MANUFACTURING MEXICO LIMITED



7,938 mm x 12,7 mm x 3,967 mm NMB  
RI-8516ZZ deep groove ball bearings

Bearing No. RI-8516ZZ

Size	7.938x12.7x3.967 mm
Bore Diameter	7,938 mm
Outer Diameter	12,7 mm
Width	3,967 mm
d	7,938 mm
D	12,7 mm
B	3,967 mm
C	3,967 mm
r min.	0,13 mm
L	0,463 mm
L1	0,362 mm
Basic dynamic load rating (C)	0,878 kN

RI-8516ZZ Bearing 2D drawings and 3D CAD models