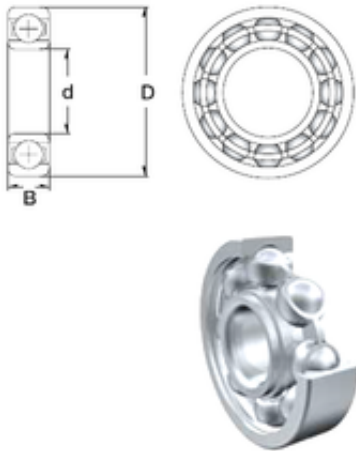




KFY MANUFACTURING MEXICO LIMITED



5 mm x 9 mm x 2,5 mm ZEN MR95 deep groove ball bearings

Bearing No. MR95

Size	5x9x2.5 mm
Bore Diameter	5 mm
Outer Diameter	9 mm
Width	2,5 mm
d	5 mm
D	9 mm
B	2,5 mm
C	2,5 mm
Basic dynamic load rating (C)	0,431 kN
Basic static load rating (C0)	0,169 kN
(Grease) Lubrication Speed	50000 r/min

MR95 Bearing 2D drawings and 3D CAD models