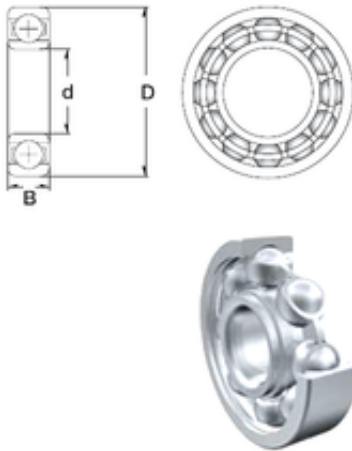




KFY MANUFACTURING MEXICO LIMITED



2 mm x 7 mm x 2,8 mm ZEN MR72 deep groove ball bearings

Bearing No. MR72

| | |
|-------------------------------|-------------|
| Size | 2x7x2.8 mm |
| Bore Diameter | 2 mm |
| Outer Diameter | 7 mm |
| Width | 2,8 mm |
| d | 2 mm |
| D | 7 mm |
| B | 2,8 mm |
| C | 2,8 mm |
| Basic dynamic load rating (C) | 0,386 kN |
| Basic static load rating (C0) | 0,129 kN |
| (Grease) Lubrication Speed | 63000 r/min |

MR72 Bearing 2D drawings and 3D CAD models