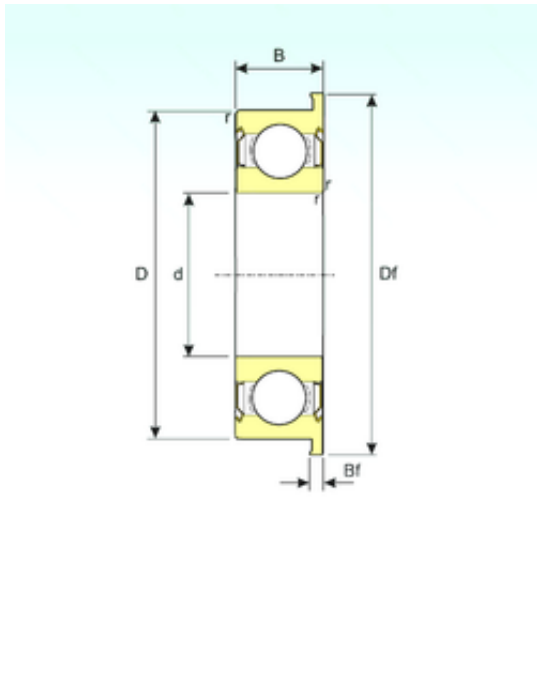




KFY MANUFACTURING MEXICO LIMITED



F63802ZZ Bearing 2D drawings and 3D CAD models

15 mm x 24 mm x 7 mm ISB F63802ZZ deep groove ball bearings

Bearing No. F63802ZZ

Dimensione	15x24x7 mm
Marchio	ISB
Diametro del foro	15 mm
Diametro esterno	24 mm
Larghezza	7 mm
d	15 mm
D	24 mm
B	7 mm
C	7 mm
Bf	1,5 mm
Df	26 mm
r min.	0,3 mm
Carico dinamico di base (C)	2,06 kN