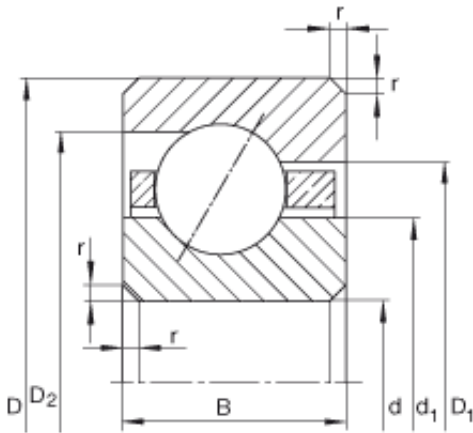




KFY MANUFACTURING MEXICO LIMITED

5 inch x 152,4 mm x 12,7 mm INA CSED050
deep groove ball bearings

Bearing No. CSED050



CSED050 Bearing 2D drawings and 3D CAD models

Size	127x152.4x12.7 mm
Bore Diameter	127 mm
Outer Diameter	152,4 mm
Width	12,7 mm
d	127 mm
d	5 inch
D	152,4 mm
B	12,7 mm
D ₁	143 mm
D ₂	145,9 mm
d ₁	136,4 mm
r _{min}	1,5 mm
m	0,45 kg / Weight
C _r	13200 N / Dynamic load rating (radial)
C _{0r}	17200 N / Static load rating (radial)