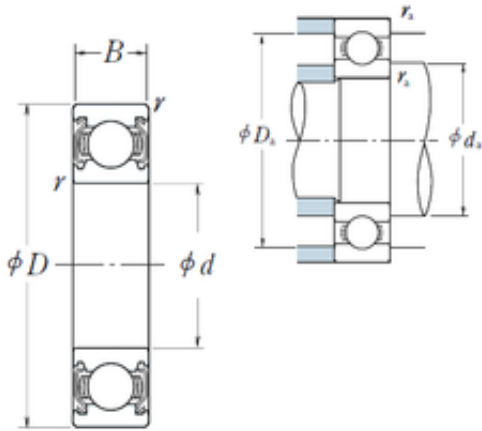




KFY MANUFACTURING MEXICO LIMITED



70 mm x 90 mm x 10 mm NSK 6814ZZ deep groove ball bearings

Bearing No. 6814ZZ

6814ZZ Bearing 2D drawings and 3D CAD models

Size	70x90x10 mm
Bore Diameter	70 mm
Outer Diameter	90 mm
Width	10 mm
d	70 mm
D	90 mm
B	10 mm
C	10 mm
r min.	0,6 mm
da min.	74 mm
da max	74,5 mm
Da max.	86 mm
ra max.	0,6 mm
Weight	0,134 Kg
Basic dynamic load rating (C)	12,1 kN
Basic static load rating (C0)	12,7 kN
(Grease) Lubrication Speed	6 700 r/min
Category	Single Row Ball Bearings
Inventory	0.0
Manufacturer Name	NSK
Minimum Buy Quantity	N/A
Weight / Kilogram	0.129
Product Group	B00308
Enclosure	2 Metal Shields
Precision Class	ABEC 1 ISO P0



KFY MANUFACTURING MEXICO LIMITED

Maximum Capacity / Filling Slot	No
Rolling Element	Ball Bearing
Snap Ring	No
Internal Special Features	No
Cage Material	Steel
Internal Clearance	C0-Medium
Inch - Metric	Metric
Long Description	70MM Bore; 90MM Outside Diameter; 10MM Outer Race Width; 2 Metal Shields; Ball Bearing; ABEC 1 ISO P0; No Filling Slot; No Snap Ring; No Internal Special Features; C0-Medium Internal Clearance; Stee
Other Features	Deep Groove
Category	Single Row Ball Bearing
UNSPSC	31171504
Harmonized Tariff Code	8482.10.50.68
Noun	Bearing
Keyword String	Ball
Manufacturer URL	http://www.nskamericas.com
Weight / LBS	0.2955
Inner Race Width	0 Inch 0 Millimeter
Bore	2.756 Inch 70 Millimeter
Outer Race Width	0.394 Inch 10 Millimeter
Outside Diameter	3.543 Inch 90 Millimeter
SRI	2.88
hidYobi	6814ZZ
LangID	1
D_	90
SREX	0.015



KFY MANUFACTURING MEXICO LIMITED

B_	10
da min	74
hidTable	ecat_NSRDGB
SRE	2.88
mass	0.134
GRS rpm	6700
ra	0.6
SRIX	0.015
D_a	86
SRIN	-0.015
C0	12.7
fo	17.2
SREN	-0.015
DE_	85.556
Prod_Type3	DGBB_SR_ZZ
DA_	5.556
bomp	0
Z_	24
yobi	6814ZZ
C_conv	12100
ALPHA_	0
SDM_	80
r	0.6
KBRG	6141
SBRG	18
DI_	74.444