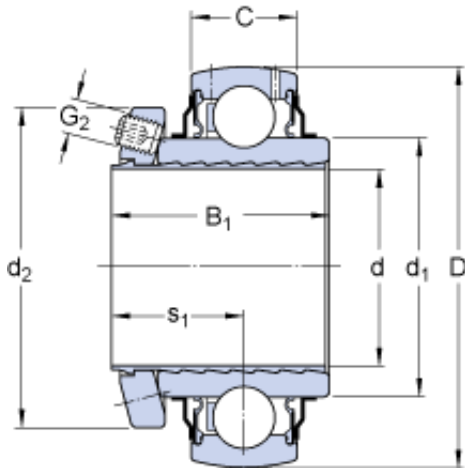




KFY MANUFACTURING MEXICO LIMITED



E2.YSP 206-103 SB-2F Bearing 2D drawings and 3D CAD models

SKF E2.YSP 206-103 SB-2F deep groove ball bearings

Bearing No. E2.YSP 206-103 SB-2F

Size	62x30.162x37 mm
Bore Diameter	62 mm
Outer Diameter	30,162 mm
Width	37 mm
d	30.162 mm
D	62 mm
B ₁	37 mm
C	18 mm
d ₁	39.7 mm
d ₂	48 mm
s ₁	23 mm
Basic dynamic load rating - C	19.5 kN
Basic static load rating - C ₀	11.2 kN
Fatigue load limit - P _u	0.475 kN
Limiting speed	7500 r/min
Calculation factor - f ₀	14
Mass bearing	0.29 kg
Thread - G ₂	M5
Hexagonal key size for grub screw - H	2.5 mm
Recommended tightening torque for grub screw	4.2 N · m