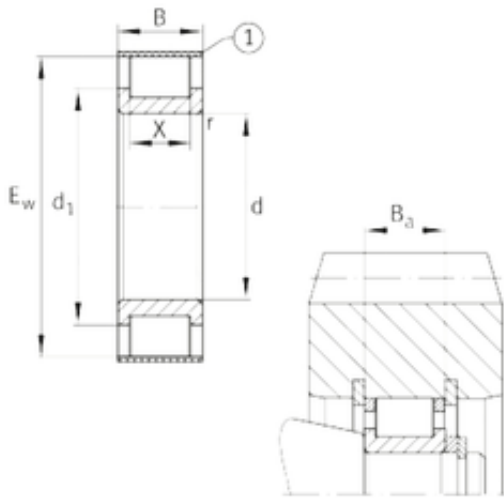




# KFY MANUFACTURING MEXICO LIMITED



## INA RSL182308-A cylindrical roller bearings

Bearing No. RSL182308-A

Size	40x83.124x33 mm
Bore Diameter	40 mm
Outer Diameter	83,124 mm
Width	33 mm
d	40 mm
Ew	83,124 mm
B	33 mm
Ba	30,2 mm
X	24 mm
d1	58 mm
r min.	1,5 mm
Weight	0,74 Kg
Basic dynamic load rating (C)	152 kN

RSL182308-A Bearing 2D drawings and 3D CAD models