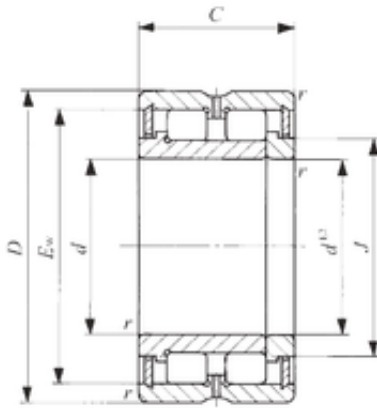




KFY MANUFACTURING MEXICO LIMITED



20 mm x 37 mm x 17 mm IKO NAG 4904
cylindrical roller bearings

Bearing No. NAG 4904

Size	20x37x17 mm
Bore Diameter	20 mm
Outer Diameter	37 mm
Width	17 mm
d	20 mm
D	37 mm
Ew	31,5 mm
B	17 mm
C	17 mm
r min.	0,3 mm
J	24 mm
Weight	0,0765 Kg
Basic dynamic load rating (C)	15,6 kN
Basic static load rating (C0)	18,9 kN

NAG 4904 Bearing 2D drawings and 3D CAD models