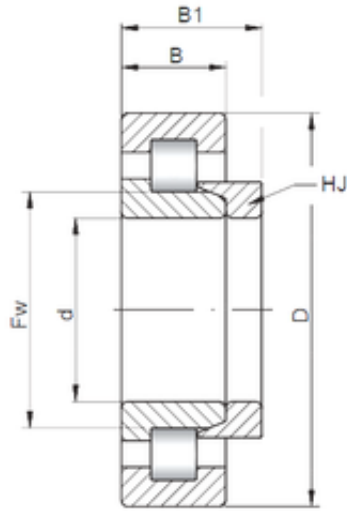




KFY MANUFACTURING MEXICO LIMITED



55 mm x 140 mm x 33 mm ISO NH411
cylindrical roller bearings

Bearing No. NH411

Dimensione	55x140x33 mm
Marchio	ISO
Diametro del foro	55 mm
Diametro esterno	140 mm
Larghezza	33 mm
d	55 mm
D	140 mm
B	33 mm
C	33 mm
B1	10 mm
B2	16,5 mm

NH411 Bearing 2D drawings and 3D CAD models