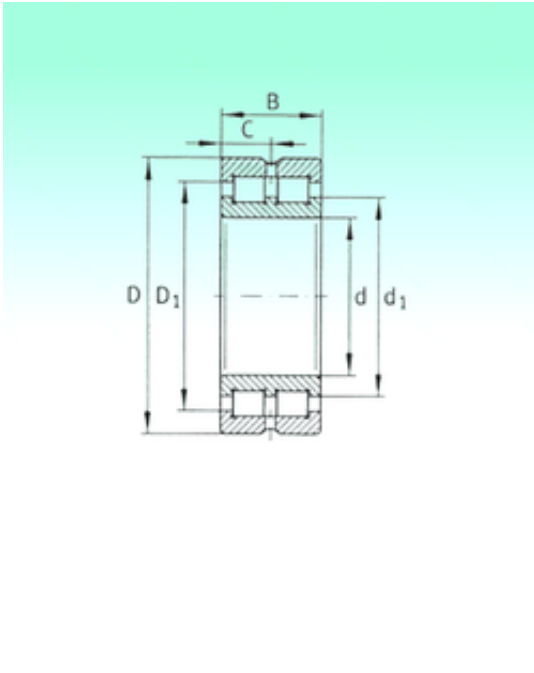




# KFY MANUFACTURING MEXICO LIMITED



SL014930 Bearing 2D drawings and 3D CAD models

150 mm x 210 mm x 60 mm NBS SL014930 cylindrical roller bearings

Bearing No. SL014930

Size	150x210x60 mm
Bore Diameter	150 mm
Outer Diameter	210 mm
Width	60 mm
d	150 mm
D	210 mm
B	60 mm
C	60 mm
d1	171,8 mm
C	30 mm
D1	187,2 mm
Weight	6,65 Kg
Basic dynamic load rating (C)	415 kN
Basic static load rating (C0)	840 kN