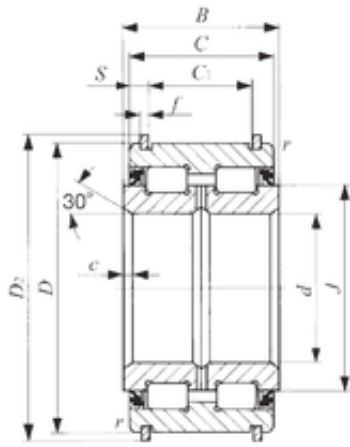




# KFY MANUFACTURING MEXICO LIMITED



## 50 mm x 80 mm x 40 mm IKO NAS 5010UUNR cylindrical roller bearings

Bearing No. NAS 5010UUNR

Size	50x80x40 mm
Bore Diameter	50 mm
Outer Diameter	80 mm
Width	40 mm
d	50 mm
D	80 mm
B	40 mm
C	39 mm
c	1,5 mm
f	2 mm
r min.	0,6 mm
C1	30 mm
D2	83,8 mm
J	61 mm
S	4,5 mm
Weight	0,75 Kg
Basic dynamic load rating (C)	100 kN
Basic static load rating (C0)	158 kN

NAS 5010UUNR Bearing 2D drawings and 3D CAD models