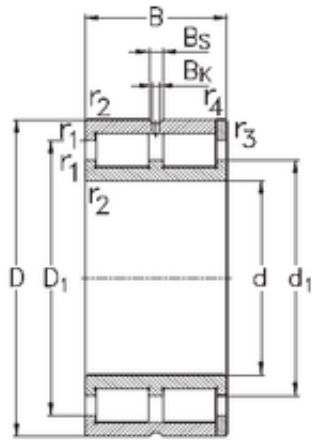




KFY MANUFACTURING MEXICO LIMITED



70 mm x 100 mm x 30 mm NKE NNC4914-V cylindrical roller bearings

Bearing No. NNC4914-V

Size	70x100x30 mm
Bore Diameter	70 mm
Outer Diameter	100 mm
Width	30 mm
d	70 mm
D	100 mm
B	30 mm
C	30 mm
d1	82 mm
r1 min.	1 mm
r2 min.	1 mm
r3 min.	1 mm
r4 min.	1 mm
D1	89 mm
Weight	0,8 Kg
Basic dynamic load rating (C)	106 kN
Basic static load rating (C0)	195 kN

NNC4914-V Bearing 2D drawings and 3D CAD models