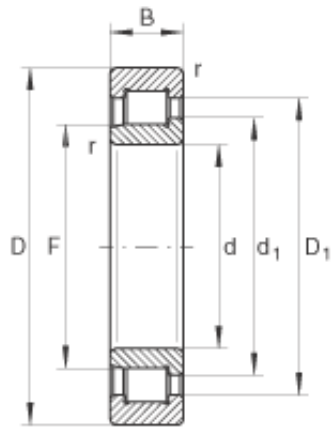




# KFY MANUFACTURING MEXICO LIMITED

## 55 mm x 120 mm x 43 mm INA SL192311 cylindrical roller bearings



Bearing No. SL192311

SL192311 Bearing 2D drawings and 3D CAD models

Size	55x120x43 mm
Bore Diameter	55 mm
Outer Diameter	120 mm
Width	43 mm
d	55 mm
D	120 mm
B	43 mm
D <sub>1</sub>	99,3 mm
d <sub>1</sub>	75,5 mm
F	67,11 mm
r <sub>min</sub>	2 mm
s	3 mm / Axial displacement
m	2,28 kg / Weight
C <sub>r</sub>	270000 N / Dynamic load rating (radial)
C <sub>0r</sub>	250000 N / Static load rating (radial)
C <sub>ur</sub>	48000 N / Fatigue limit load, radial
n <sub>G</sub>	3750 1/min / Limiting speed
Category	Cylindrical Roller Bearings
Inventory	0.0
Manufacturer Name	SCHAEFFLER GROUP
Minimum Buy Quantity	N/A
Weight / Kilogram	2.733
EAN	4012802072761



## KFY MANUFACTURING MEXICO LIMITED

Product Group	B04144
Bore Profile	Straight
Cage Material	None
Precision Class	RBEC 1   ISO P0
Number of Rows of Rollers	Single Row
Separable	Inner Ring - One Side
Rolling Element	Cylindrical Roller Bearing
Profile	Complete with Outer and Inner Ring
Snap Ring	No
Internal Clearance	C0-Medium
Retainer	No
Relubricatable	Yes
Inch - Metric	Metric
Other Features	Full Complement   1 Rib Inner Ring   2 Rib Outer Ring   Operating Temperature From -30 to 120 Deg
Long Description	55MM Bore; Straight Bore Profile; 120MM Outside Diameter; 43MM Width; RBEC 1   ISO P0; Single Row; Inner Ring - One Side Separable; No Snap Ring; Relubricatable; C0-Medium Internal Clearance; No Retai
Category	Cylindrical Roller Bearing
UNSPSC	31171547
Harmonized Tariff Code	8482.50.00.00
Noun	Bearing
Manufacturer URL	<a href="http://www.ina.com">http://www.ina.com</a>
Manufacturer Item Number	SL192311
Weight / LBS	6.019
Outside Diameter	4.724 Inch   120 Millimeter



## KFY MANUFACTURING MEXICO LIMITED

Width	1.693 Inch   43 Millimeter
Bore	2.165 Inch   55 Millimeter