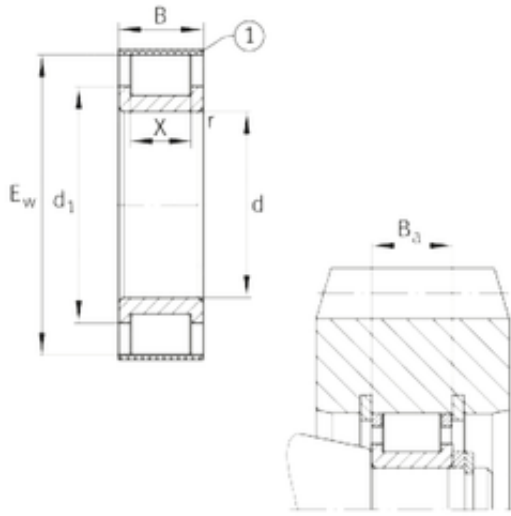




KFY MANUFACTURING MEXICO LIMITED



INA RSL182215-A cylindrical roller bearings

Bearing No. RSL182215-A

| | |
|-------------------------------|-----------------|
| Size | 75x115.78x31 mm |
| Bore Diameter | 75 mm |
| Outer Diameter | 115,78 mm |
| Width | 31 mm |
| d | 75 mm |
| Ew | 115,78 mm |
| B | 31 mm |
| Ba | 26,5 mm |
| X | 22 mm |
| d1 | 92 mm |
| r min. | 1,5 mm |
| Weight | 1,03 Kg |
| Basic dynamic load rating (C) | 187 kN |

RSL182215-A Bearing 2D drawings and 3D CAD models