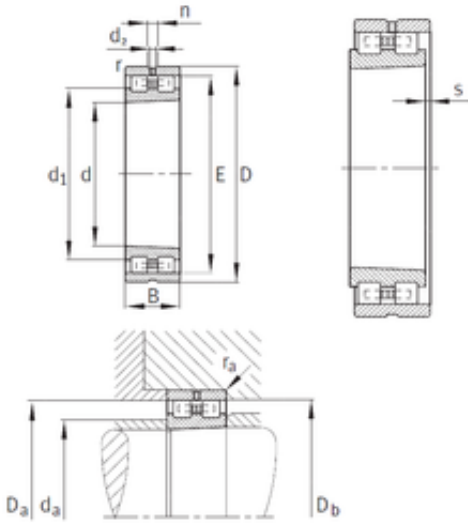




KFY MANUFACTURING MEXICO LIMITED

75 mm x 115 mm x 30 mm INA NN3015-AS-K-M-SP cylindrical roller bearings

Bearing No. NN3015-AS-K-M-SP



NN3015-AS-K-M-SP Bearing 2D drawings and 3D CAD models

Size	75x115x30 mm
Bore Diameter	75 mm
Outer Diameter	115 mm
Width	30 mm
d	75 mm
D	115 mm
E	105 mm
B	30 mm
C	30 mm
n	6,5 mm
d1	90,6 mm
d2	3,2 mm
r min.	1,1 mm
da min.	81 mm
Da max.	109 mm
Db min.	107 mm
ra max.	1 mm
S	2,3 mm
Weight	1,09 Kg
Basic dynamic load rating (C)	100 kN
Basic static load rating (C0)	156 kN
(Grease) Lubrication Speed	6 700 r/min
(Oil) Lubrication Speed	8 000 r/min