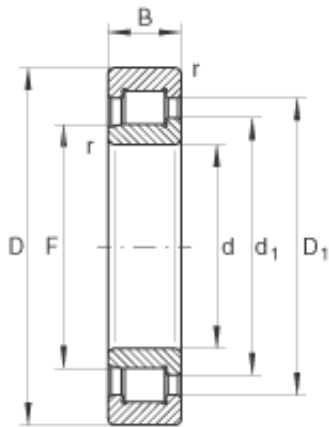




KFY MANUFACTURING MEXICO LIMITED



85 mm x 180 mm x 60 mm INA SL192317
cylindrical roller bearings

Bearing No. SL192317

SL192317 Bearing 2D drawings and 3D CAD models

Size	85x180x60 mm
Bore Diameter	85 mm
Outer Diameter	180 mm
Width	60 mm
d	85 mm
D	180 mm
B	60 mm
D ₁	150,9 mm
d ₁	118,2 mm
F	107,01 mm
r _{min}	3 mm
s	4 mm / Axial displacement
m	7,34 kg / Weight
C _r	570000 N / Dynamic load rating (radial)
C _{0r}	610000 N / Static load rating (radial)
C _{ur}	107000 N / Fatigue limit load, radial
n _G	2410 1/min / Limiting speed
Category	Cylindrical Roller Bearings
Inventory	0.0
Manufacturer Name	SCHAEFFLER GROUP
Minimum Buy Quantity	N/A
Weight / Kilogram	8.8
EAN	4012802418972



KFY MANUFACTURING MEXICO LIMITED

Product Group	B04144
Bore Profile	Straight
Cage Material	None
Precision Class	RBEC 1 ISO P0
Number of Rows of Rollers	Single Row
Separable	Inner Ring - One Side
Rolling Element	Cylindrical Roller Bearing
Profile	Complete with Outer and Inner Ring
Snap Ring	No
Internal Clearance	C0-Medium
Retainer	No
Relubricatable	Yes
Inch - Metric	Metric
Other Features	Full Complement 1 Rib Inner Ring 2 Rib Outer Ring Operating Temperature From -30 to 120 Deg
Long Description	85MM Bore; Straight Bore Profile; 180MM Outside Diameter; 60MM Width; RBEC 1 ISO P0; Single Row; Inner Ring - One Side Separable; No Snap Ring; Relubricatable; C0-Medium Internal Clearance; No Retai
Category	Cylindrical Roller Bearing
UNSPSC	31171547
Harmonized Tariff Code	8482.50.00.00
Noun	Bearing
Manufacturer URL	http://www.ina.com
Manufacturer Item Number	SL192317
Weight / LBS	19.378
Bore	3.346 Inch 85 Millimeter



KFY MANUFACTURING MEXICO LIMITED

Outside Diameter	7.087 Inch 180 Millimeter
Width	2.362 Inch 60 Millimeter