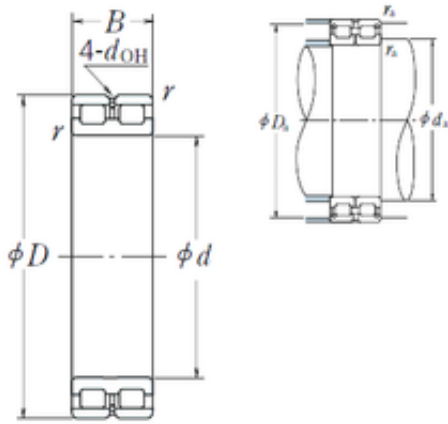




KFY MANUFACTURING MEXICO LIMITED



150 mm x 210 mm x 60 mm NSK RSF-4930E4 cylindrical roller bearings

Bearing No. RSF-4930E4

RSF-4930E4 Bearing 2D drawings and 3D CAD models

Size	150x210x60 mm
Bore Diameter	150 mm
Outer Diameter	210 mm
Width	60 mm
d	150 mm
D	210 mm
B	60 mm
C	60 mm
r min.	2 mm
da min.	159 mm
Da max.	201 mm
ra max.	2 mm
Weight	6,65 Kg
Basic dynamic load rating (C)	390 kN
Basic static load rating (C0)	865 kN
(Grease) Lubrication Speed	670 r/min
hidYobi	RSF-4930E4
LangID	1
D_	210
B_	60
hidTable	ecat_NSCLDRS
Oil rpm	670
mass	6.65
GRS rpm	1300
ra	2



KFY MANUFACTURING MEXICO LIMITED

da_min	159
C0	865
DE_	191.6
Prod_Type3	CRB_FRFS_OT_FREE
DA_	13
Z_	43
yobi	RSF-4930E4
da_max	201
SDM_	178.6
r	2
KBRG	4210
disp	3.5
DI_	165.6
doh	5