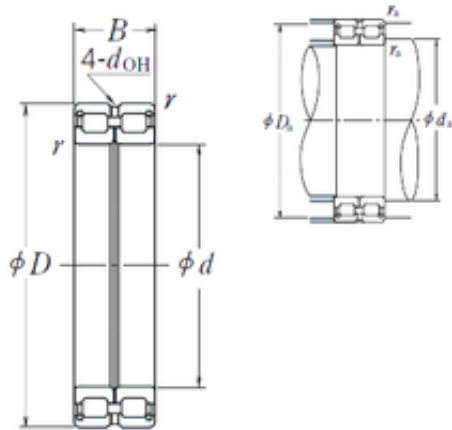




# KFY MANUFACTURING MEXICO LIMITED

## 90 mm x 125 mm x 35 mm NSK RS-4918E4 cylindrical roller bearings



Bearing No. RS-4918E4

RS-4918E4 Bearing 2D drawings and 3D CAD models

Size	90x125x35 mm
Bore Diameter	90 mm
Outer Diameter	125 mm
Width	35 mm
d	90 mm
D	125 mm
B	35 mm
C	35 mm
r min.	1,1 mm
da min.	96,5 mm
Da max.	118,5 mm
ra max.	1 mm
Weight	1,35 Kg
Basic dynamic load rating (C)	147 kN
Basic static load rating (C0)	268 kN
(Grease) Lubrication Speed	1100 r/min
hidYobi	RS-4918E4
LangID	1
D_	125
B_	35
hidTable	ecat_NSCLDRS
Oil rpm	1100
mass	1.35
GRS rpm	2200
ra	1



## KFY MANUFACTURING MEXICO LIMITED

da_min	96.5
C0	268
DE_	116
Prod_Type3	CRB_FRFS_OT_FIX
DA_	9
Z_	37
yobi	RS-4918E4
da_max	118.5
SDM_	107
r	1.1
KBRG	4220
DI_	98
doh	3