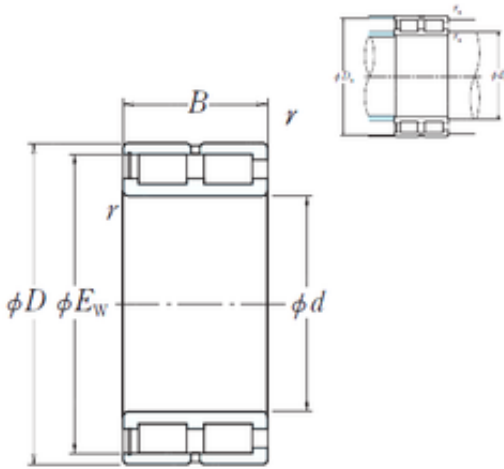




KFY MANUFACTURING MEXICO LIMITED

120 mm x 180 mm x 80 mm NSK NNCF5024V cylindrical roller bearings

Bearing No. NNCF5024V



NNCF5024V Bearing 2D drawings and 3D CAD models

Size	120x167.58x80 mm
Bore Diameter	120 mm
Outer Diameter	167,58 mm
Width	80 mm
d	120 mm
D	180 mm
Ew	167,58 mm
B	80 mm
C	80 mm
r min.	2 mm
Da	168 mm
ra max.	2 mm
da	132 mm
Weight	6,5 Kg
Basic dynamic load rating (C)	500 kN