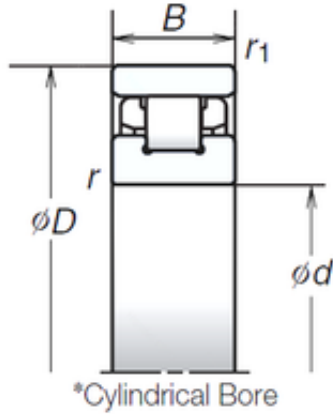




# KYF MANUFACTURING MEXICO LIMITED

60 mm x 95 mm x 18 mm NSK N1012RXZTP  
cylindrical roller bearings



Bearing No. N1012RXZTP

Size	60x86.1x18 mm
Bore Diameter	60 mm
Outer Diameter	86,1 mm
Width	18 mm
d	60 mm
D	95 mm
E	86,1 mm
B	18 mm
C	18 mm
r min.	1,1 mm
Weight	0,411 Kg
Basic dynamic load rating (C)	22,2 kN
Basic static load rating (C0)	22,1 kN
(Grease) Lubrication Speed	17 000 r/min

N1012RXZTP Bearing 2D drawings and 3D CAD models