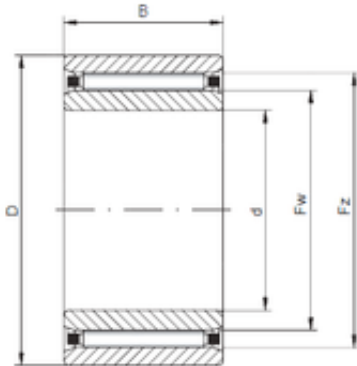




# KFY MANUFACTURING MEXICO LIMITED

40 mm x 55 mm x 17 mm ISO NAO40x55x17  
cylindrical roller bearings



Bearing No. NAO40x55x17

|                |             |
|----------------|-------------|
| Size           | 40x55x17 mm |
| Bore Diameter  | 40 mm       |
| Outer Diameter | 55 mm       |
| Width          | 17 mm       |
| d              | 40 mm       |
| Fw             | 45 mm       |
| D              | 55 mm       |
| Ew             | 50 mm       |
| B              | 17 mm       |
| C              | 17 mm       |

NAO40x55x17 Bearing 2D drawings and 3D CAD models