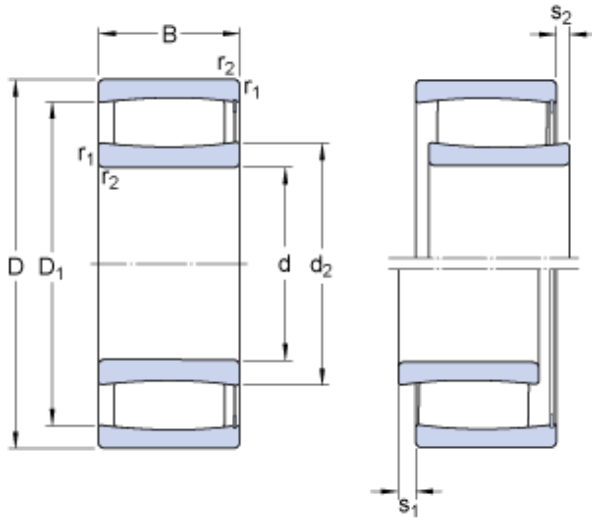




# KFY MANUFACTURING MEXICO LIMITED



## 75 mm x 105 mm x 54 mm SKF C 6915 V/VE240 cylindrical roller bearings

Bearing No. C 6915 V/VE240

C 6915 V/VE240 Bearing 2D drawings and 3D CAD models

Size	105x75x54 mm
Bore Diameter	105 mm
Outer Diameter	75 mm
Width	54 mm
d	75 mm
D	105 mm
B	54 mm
d <sub>2</sub>	83.6 mm
D <sub>1</sub>	95.5 mm
s <sub>1</sub>	9.2 mm
s <sub>2</sub>	9.2 mm
r <sub>1,2</sub> - min.	1 mm
d <sub>a</sub> - min.	79.6 mm
d <sub>a</sub> - max.	88 mm
D <sub>a</sub> - max.	100 mm
r <sub>a</sub> - max.	1 mm
Basic dynamic load rating - C	204 kN
Basic static load rating - C <sub>0</sub>	325 kN
Fatigue load limit - P <sub>u</sub>	37.5 kN
Limiting speed	1900 r/min
Factor - k <sub>1</sub>	0.073
Factor - k <sub>2</sub>	0.154
d <sub>2</sub>	83.6 mm



## KFY MANUFACTURING MEXICO LIMITED

$D_1$	95.5 mm
$s_1$ max.	9.2 mm
$s_2$ max.	9.2 mm
$r_{1,2}$ min.	1 mm
$d_a$ min.	79.6 mm
$d_a$ max.	88 mm
$D_a$ max.	100 mm
$r_a$ max.	1 mm
Basic dynamic load rating C	204 kN
Basic static load rating $C_0$	325 kN
Fatigue load limit $P_u$	37.5 kN
Misalignment factor $k_1$	0.073
Operating clearance factor $k_2$	0.154
Mass bearing	1.4 kg