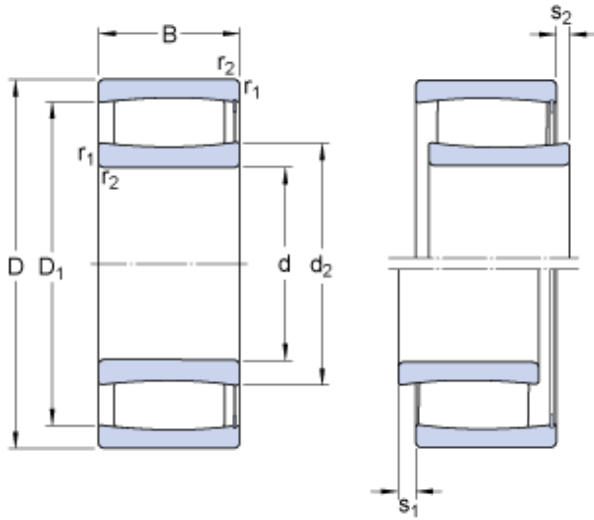




KFY MANUFACTURING MEXICO LIMITED



110 mm x 180 mm x 69 mm SKF C 4122 V
cylindrical roller bearings

Bearing No. C 4122 V

C 4122 V Bearing 2D drawings and 3D CAD models

Size	180x110x69 mm
Bore Diameter	180 mm
Outer Diameter	110 mm
Width	69 mm
d	110 mm
D	180 mm
B	69 mm
d ₂	132 mm
D ₁	163 mm
s ₁	11.4 mm
s ₂	4.6 mm
r _{1,2} - min.	2 mm
d _a - min.	121 mm
d _a - max.	149 mm
D _a - max.	169 mm
r _a - max.	2 mm
Basic dynamic load rating - C	670 kN
Basic static load rating - C ₀	1000 kN
Fatigue load limit - P _u	104 kN
Limiting speed	900 r/min
Factor - k ₁	0.111
Factor - k ₂	0.097
Category	Roller Bearings



KFY MANUFACTURING MEXICO LIMITED

Inventory	0.0
Manufacturer Name	SKF
Minimum Buy Quantity	N/A
Weight / Kilogram	0
EAN	7316571230511
Product Group	B04144
d_2	132 mm
D_1	163 mm
s_1 max.	11.4 mm
s_2 max.	4.6 mm
$r_{1,2}$ min.	2 mm
d_a min.	121 mm
d_a max.	149 mm
D_a max.	169 mm
r_a max.	2 mm
Basic dynamic load rating C	670 kN
Basic static load rating C_0	1000 kN
Fatigue load limit P_u	104 kN
Misalignment factor k_1	0.111
Operating clearance factor k_2	0.097
Mass bearing	7.1 kg